

**Fig. 113**  
**Full Bore Bronze**



**FEATURES & BENEFITS**

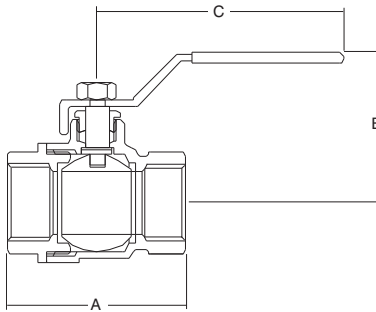
- Light, compact and easy to install and operate
- Robust construction for long life



**MATERIAL SPECIFICATION**

Component	Material	Specification ASTM
Lever	Steel	-
Stem	Copper Alloy	B16-C36000
Stem Seals	PTFE	-
Ball (hard chrome plated)	Copper Alloy	B16-C36000
Seat Rings	PTFE	-
Seat Retainer	Bronze	BS84-C84400
Body	Bronze	BS84-C84400

**DIMENSIONAL DRAWING**



**DIMENSIONS & WEIGHTS**

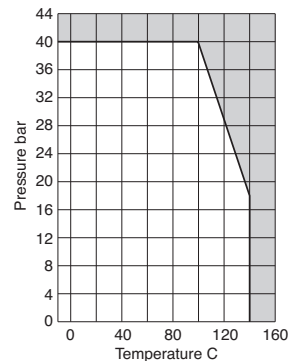
Nom Size	in	1/2	3/4	1	1 1/4	1 1/2	2
A	mm	55	62	73	83	92	107
B	mm	46	55	62	70	75	82
C	mm	82	103	106	106	150	160
Weight	kg	0.25	0.45	0.70	1.15	1.70	2.95

**PRESSURE/TEMPERATURE RATING**

40 bar from -10 to 100°C  
18 bar at 140°C

**SPECIFICATION**

Blow-out proof stem.  
Full bore hard chrome plated ball.  
Virgin PTFE seats and stem seals.  
Taper threaded BS EN 10 (ISO 7-1) formerly BS 21.



2803716\_1/4

Every effort has been made to ensure that the information contained in this publication is accurate at the time of publishing. Hattersley Ltd assumes no responsibility or liability for typographical errors or omissions or for any misinterpretation of the information within the publication and reserves the right to change without notice.